

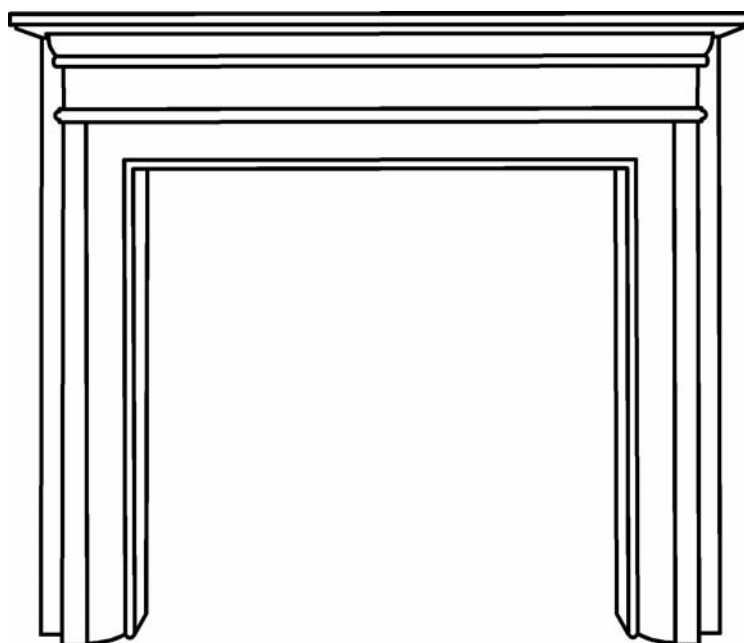
VALOR FIRES

INSTALLATION GUIDE

Simpson

Surround

When fitted with the gas rails, this surround is designed for a back panel that has a maximum depth of 25mm



This guide should be read in conjunction with the installer and owner guide supplied with the fire / heater.

This guide is intended to help you install your surround. Please read carefully before installing. However, if further information is required, our

Valor Fires Technical Helpline will be pleased to help.

Telephone **0844 8711 565** (National call rates apply in the United Kingdom)

In the Republic of Ireland call **0044 844 8711 565**.

BAXI ● VALOR ● WONDERFIRE

Important: Please keep your guide in a safe place for future reference.

INSTALLATION GUIDE

© Baxi Heating U.K. Limited 2008.

All rights reserved. No part of this publication may be reproduced in any material form (including photocopying), stored in any medium by electronic means (including in any retrieval system or database) or transmitted, in any form or by any means, whether electronic, mechanical, recording or otherwise, without the prior written permission of the copyright owner.

Applications for the copyright owner's permission to reproduce any part of this publication should be made, giving details of the proposed use, to the following address: The Company Secretary, Baxi Heating UK Limited, The Wyvern Business Park, Stanier Way, Derby, DE21 6BF.

Warning: Any person who does any unauthorised act in relation to a copyright work may be liable to criminal prosecution and civil claims for damages.

VALOR FIRES

Valor Fires, Erdington, Birmingham B24 9QP
www.firesandstoves.co.uk

Because our policy is one of constant development and improvement, details may vary slightly from those given in this publication

INSTALLATION GUIDE

SAFETY

- When drilling into brick work always wear safety goggles, a dust mask, and always work in a well ventilated area.
- Keep children clear of work area.
- Always read the installer and owner guide supplied with the fire / heater. This guide should be read in conjunction with those supplied with the fire / heater.
- Always tidy loose electrical leads in the work area.
- Always switch off electric power when not needed.
- The surround must always be fixed into position.

HANDLING AND UNPACKING

Before continuing any further with the installation of this surround please read the following:

Important instructions.

- The approximate lifting weights of the surround components are as below:

Side leg	6.7kg
Mantle top	12.5kg

- This surround is heavy. We therefore recommend that two people should be sufficient to lift it. If fitting or moving the surround alone we recommend the use of suitable lifting apparatus.
- When lifting always keep your back straight. Bend your legs and not your back.
- Avoid twisting at the waist. It is better to reposition your feet.
- Avoid upper body / top heavy bending. Always bend from the knees rather than the waist. Do not lean forward or sideways whilst handling.
- Always grip with the palm of the hand. Do not use the tips of fingers for support.
- Always keep the surround or hearth as close to the body as possible. This will minimise the cantilever action.
- Use gloves to provide additional grip.
- Always use assistance if required.

INSTALLATION GUIDE

CONTENTS

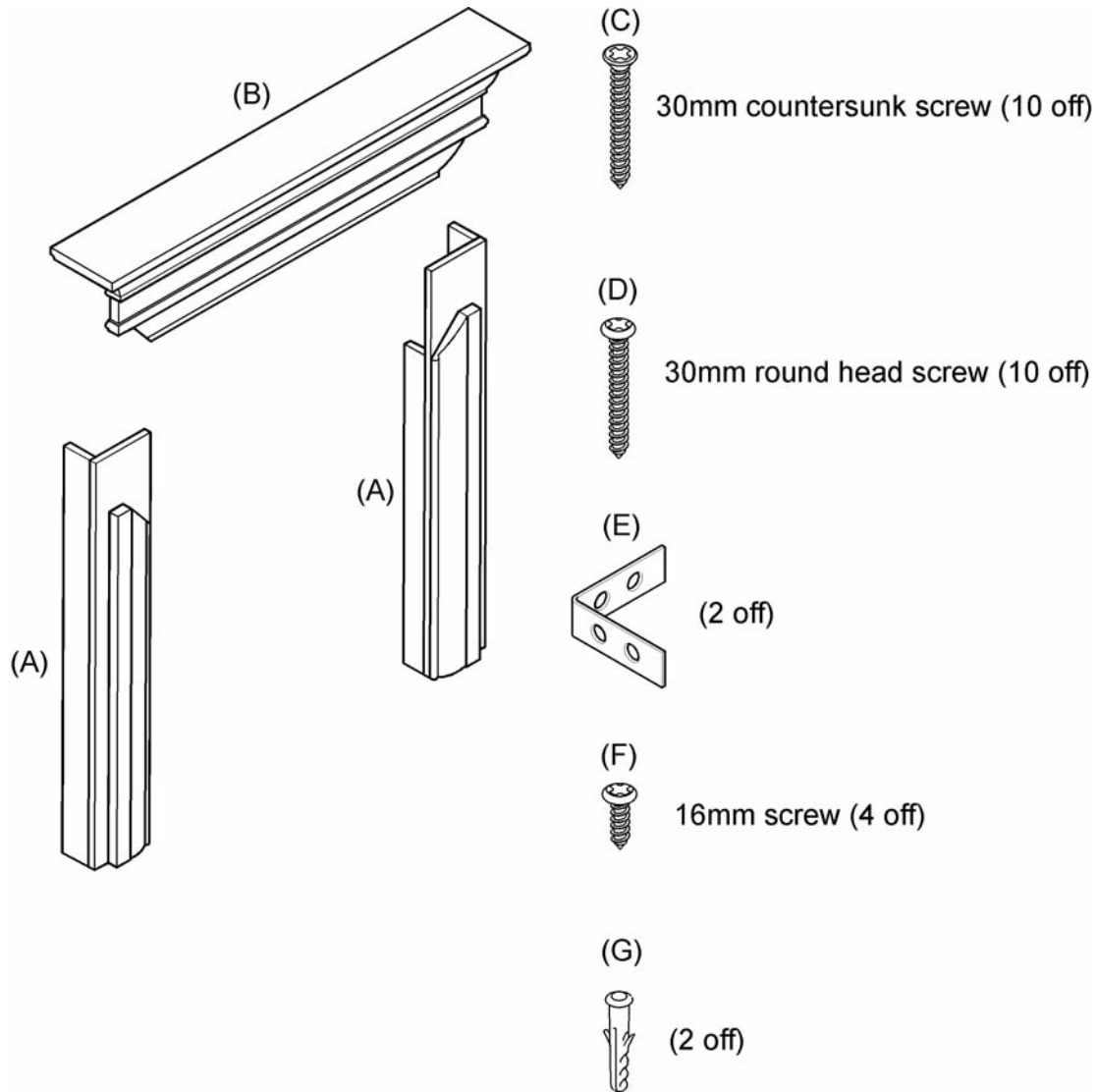


Figure 1. Contents - (Items are not to scale. Any components extra to those above can be discarded).

INSTALLATION GUIDE

FITTING THE SURROUND

The installation of this surround requires a reasonable level of DIY skills. Please read this guide thoroughly before commencing installation and if in doubt, seek help from a competent person.

Do I need any tools?

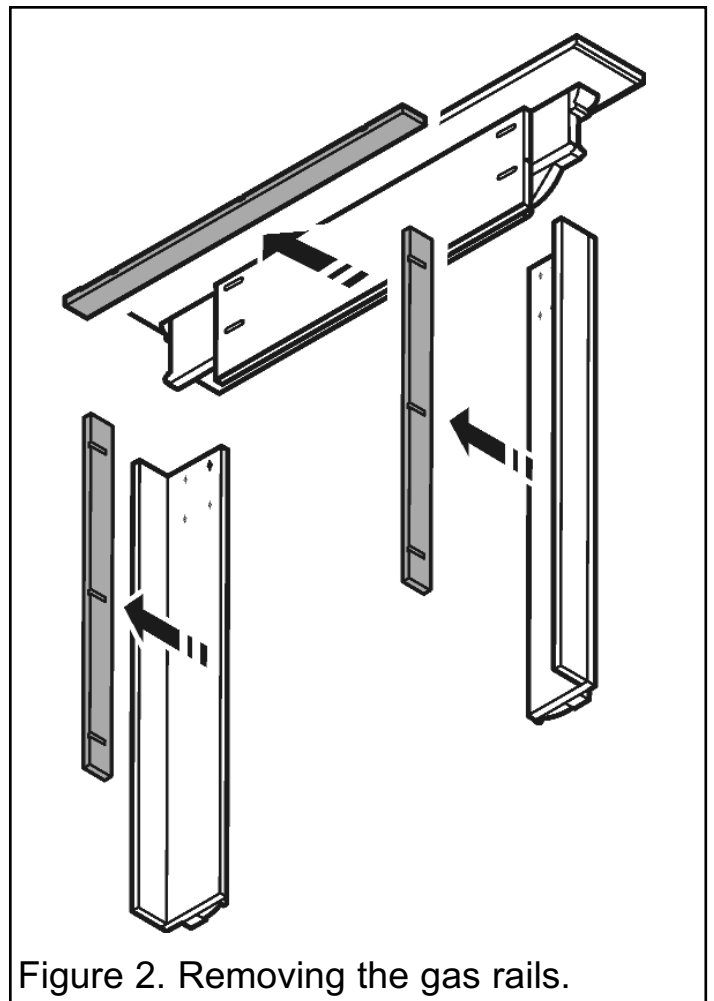
You will need the following tools:

- A Pozidrive / Phillips / cross head screwdriver. This should have a number 2 size tip.
- If drilling into brick work you will need a power drill (preferably with hammer action) and appropriate size drill bit for the wall plugs supplied.

How to assemble the Surround.

Step 1. Removing the gas rails for installations with electric heaters.

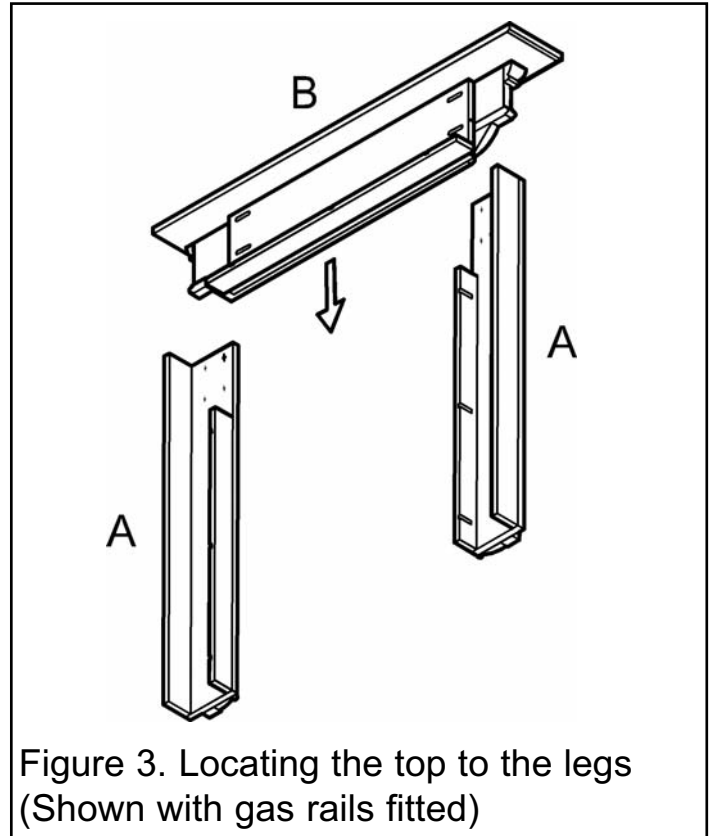
- For installations with electric heaters unscrew and remove the gas rails as in figure 2.



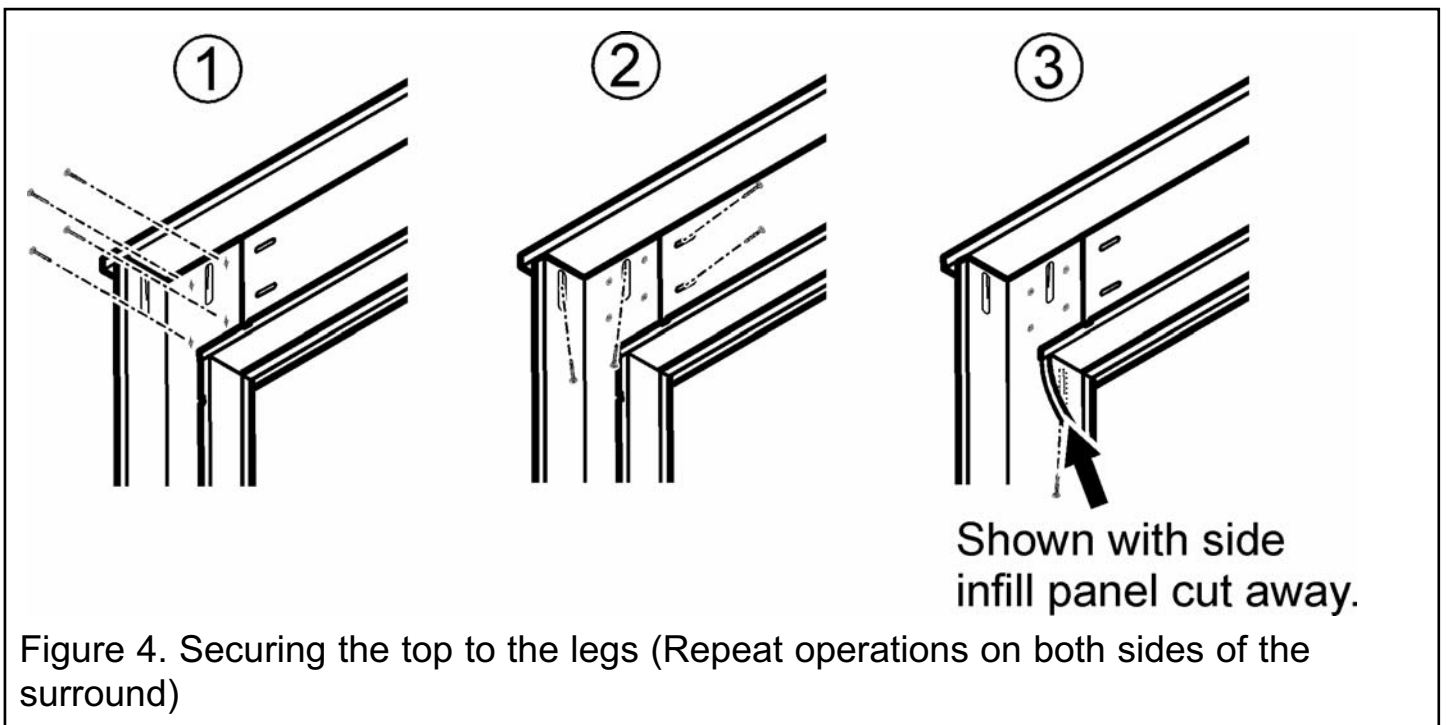
INSTALLATION GUIDE

Step 2. Assembling the legs and surround top.

- Stand the legs (A) on a flat surface. We recommend a second person supports the legs. Locate the surround top (B).



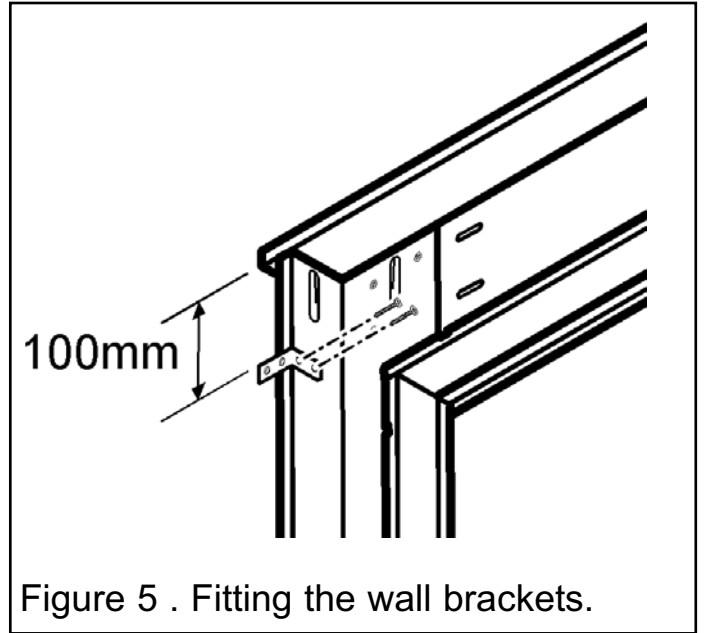
- Locate and secure 8 off (C) screws as in point 1 of figure 4.
- Locate and secure 8 off (D) screws as in point 2 of figure 4.
- On gas fire installations, locate and secure 2 off (D) screws as in point 3 in figure 4.



INSTALLATION GUIDE

Step 3. Fitting the Wall mounting brackets.

- Place the wall fixing brackets (E) 100mm from the top outside edge of the legs as shown in figure 5. Secure in place using four (F) screws.



Step 4. Securing the Surround assembly.

- Carefully move the surround into place.
- Mark the positions of the bracket holes on the wall.
- Move the surround aside and drill suitable sized holes. Insert the wall plugs* (G).
- Place the surround into position and secure using two (C) screws.

*Note: The wall plugs are only suitable for brick or block walls. For timber framed walls covered in plaster board we recommend the use of heavy duty cavity fixings.

Step 5. Fitting the fire / heater.

For full fitting instructions see the installer and owner guide supplied with the fire / heater. Please note that where applicable we do not recommend screw fitting the fire / heater to the Valor solo-pro back panel and hearth, but recommend the cable retention method instead.

Caring for your Surround.

- DO wipe any spills off immediately to limit possibility of staining.
- DO clean regularly with a soft damp cloth.
- DO NOT use abrasive cleaners.
- DO NOT allow prolonged exposure to water.

If you require further assistance, the Valor Fires Technical Helpline will be pleased to help.

Please telephone 0844 8711 565 (local rates apply in the United Kingdom). In the Republic of Ireland please telephone 0044 844 8711 565.

VALOR FIRES